



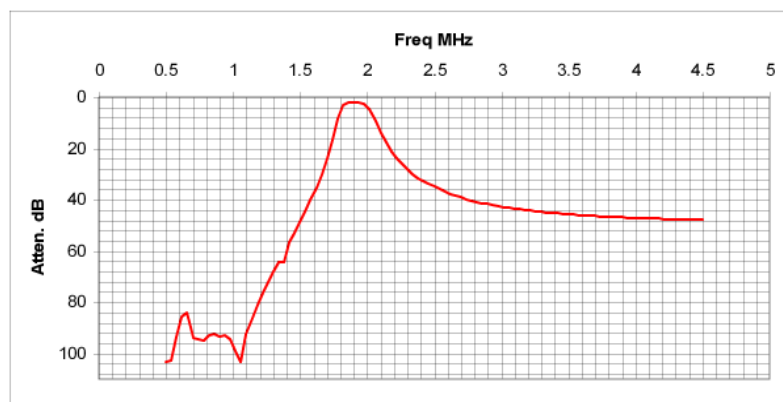
HIGH PERFORMANCE

HF RECEIVING SYSTEMS & COMPONENTS

Hi-Z Antennas™ - BPF – Band Pass Filter

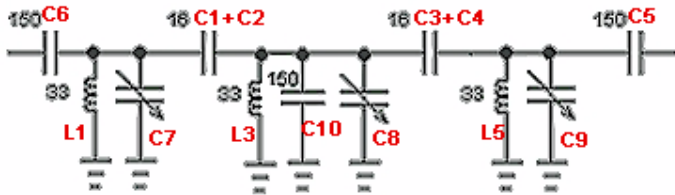


This 75-ohm band-pass filter is designed to provide receiving array protection from local high-powered A.M. broadcast stations. This filter is fitted with 75-ohm type F connectors and will provide out of band attenuation as seen in the chart below. Insertion loss is an average 2 dB in the pass band. Attenuation is a 35 dB at 1600 KHz and as can be seen, much more at lower frequencies. The band pass 3-dB corners are at 1.8 MHz and 2.0 MHz.



160 meter Bandpass filter

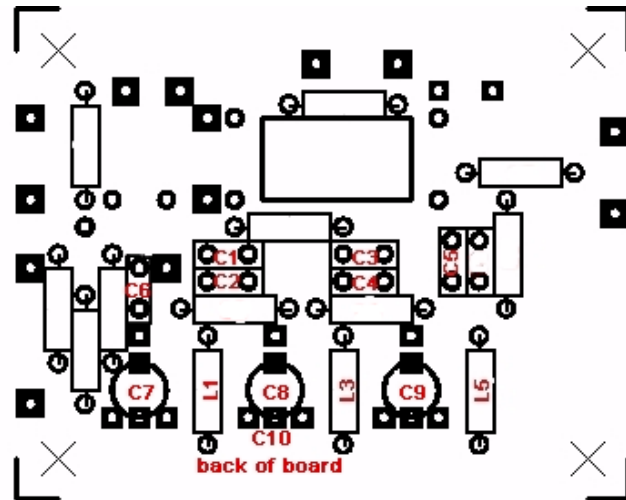
75 Ohms input & output



Capacitors in pf.

Inductors in μ H

Variable Capacitor 4.5 to 65 pf.



THANK YOU for selecting Hi-Z Antennas™.



Hi-Z Antennas™
8125 SW Larch Drive
Culver, OR 97734 USA
541.543.9921